

Datasheet

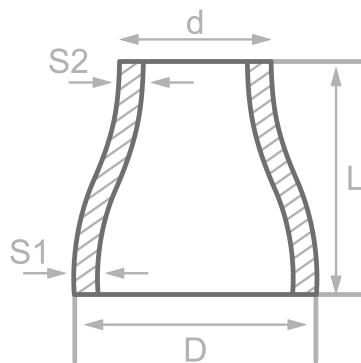
Description

Conc. red., DIN2616/EN10253-2-B
P235GH, certificate 3.1

Main data

457.20 x 11.00 / 355.60 x 10.00

D	457.20 mm
S1	11.00 mm
d	355.60 mm
S2	10.00 mm
L	381.00 mm



Chemical analysis (heat) in % of mass

(one content=max. value)

Short name: P235GH

Mat. grade: 1.0345

C	Si	Mn	P	S	Cr	Cu	Mo	Nb	Ni	Ti	V	Others
0.16	0.35	1.20	0.025	0.020	0.30	0.30	0.08	0.01	0.30	0.04	0.02	Al

Mechanical properties

Short name: P235GH

Mat. grade: 1.0345

Upper yield strength reH or Rp0.2 min for wallthicknesses T in mm, N/mm ² at room temperature		Tensile strength Rm for wallthickn. T in mm, N/mm ² at room temperature		Elongation A at room- temperature, min.%		Min. impact energy KV in J	
T ≤ 16	16 < T ≤ 60	T ≤ 16	16 < T ≤ 60	Longit.	Transv.	Longit.	Transv.
235	225	360-500	360-500	25	23	40	27

Sources: EN 10253, DIN 17175, DIN 2528, DIN 1629, Stahlschlüssel, ASTM