

# Datasheet

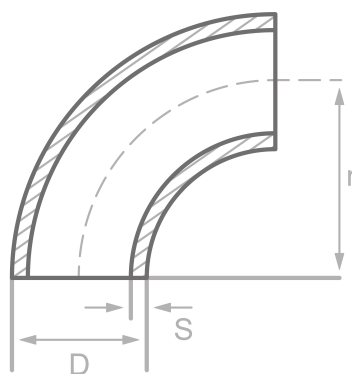
## Description

Elbows, DIN2605/EN10253-2-A-3D-90°  
16Mo3, certificate 3.1

## Main data

Type 3/LR, 76.10 x 7.10 mm

D	76.10 mm
S	7.10 mm
r	95.00 mm



## Chemical analysis (heat) in % of mass

(one content=max. value)

Short name: 16Mo3

Mat. grade: 1.5415

C	Si	Mn	P	S	Cr	Cu	Mo	Nb	Ni	Ti	V	Others
0.20	0.35	0.90	0.025	0.020	0.30	0.30	0.35		0.30			Al

## Mechanical properties

Short name: 16Mo3

Mat. grade: 1.5415

Upper yield strength reH or Rp0.2 min for wallthicknesses T in mm, N/mm2 at room temperature		Tensile strength Rm for wallthickn. T in mm, N/mm2 at room temperature		Elongation A at room- temperature, min.%		Min. impact energy KV in J	
T<=16	16<T<=60	T<=16	16<T<=60	Longit.	Transv.	Longit.	Transv.
280	270	450-600	450-600	22	20		

Sources: EN 10253, DIN 17175, DIN 2528, DIN 1629, Stahlschlüssel, ASTM

