

# Datasheet

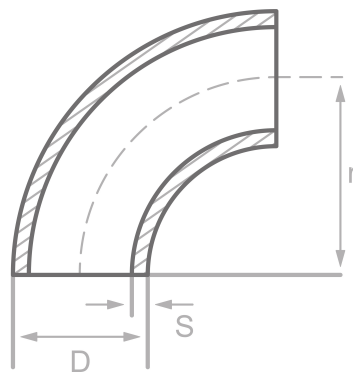
## Description

Elbows, DIN2605/EN10253-2-A-3D-90°  
P355NH, certificate 3.1

## Main data

Type 3/LR, 42.40 x 6.30 mm

D	42.40 mm
S	6.30 mm
r	48.00 mm



## Chemical analysis (heat) in % of mass

(one content=max. value)

Short name: P355NH

Mat. grade: 1.0565

C	Si	Mn	P	S	Cr	Cu	Mo	Nb	Ni	Ti	V	Others
0.18	0.50	1.70	0.025	0.010	0.30	0.30	0.08	0.05	0.50	0.03	0.10	Al, N

## Mechanical properties

Short name: P355NH

Mat. grade: 1.0565

Upper yield strength reH or Rp0.2 min for wallthicknesses T in mm, N/mm2 at room temperature		Tensile strength Rm for wallthickn. T in mm, N/mm2 at room temperature		Elongation A at room- temperature, min.%		Min. impact energy KV in J	
T<=16	16<T<=60	T<=16	16<T<=60	Longit.	Transv.	Longit.	Transv.
355	345	490-650	490-630	22	20	55	39

Sources: EN 10253, DIN 17175, DIN 2528, DIN 1629, Stahlschlüssel, ASTM