

Datasheet

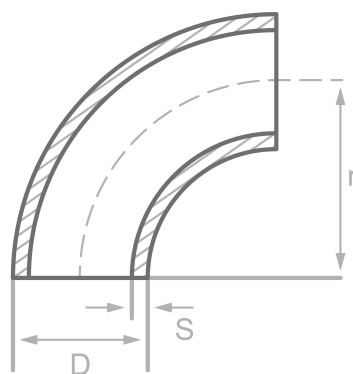
Description

Elbows, DIN2605/EN10253-2-A-3D-90°
P235GH, certificate 3.1

Main data

Type 3/LR, 76.10 x 5.60 mm

| | |
|---|----------|
| D | 76.10 mm |
| S | 5.60 mm |
| r | 95.00 mm |



Chemical analysis (heat) in % of mass

(one content=max. value)

Short name: P235GH

Mat. grade: 1.0345

| C | Si | Mn | P | S | Cr | Cu | Mo | Nb | Ni | Ti | V | Others |
|------|------|------|-------|-------|------|------|------|------|------|------|------|--------|
| 0.16 | 0.35 | 1.20 | 0.025 | 0.020 | 0.30 | 0.30 | 0.08 | 0.01 | 0.30 | 0.04 | 0.02 | Al |

Mechanical properties

Short name: P235GH

Mat. grade: 1.0345

| Upper yield strength reH or Rp0.2 min for wallthicknesses T in mm, N/mm2 at room temperature | | Tensile strength Rm for wallthickn. T in mm, N/mm2 at room temperature | | Elongation A at room- temperature, min.% | | Min. impact energy KV in J | |
|---|----------|---|----------|---|---------|-------------------------------|---------|
| T<=16 | 16<T<=60 | T<=16 | 16<T<=60 | Longit. | Transv. | Longit. | Transv. |
| 235 | 225 | 360-500 | 360-500 | 25 | 23 | 40 | 27 |

Sources: EN 10253, DIN 17175, DIN 2528, DIN 1629, Stahlschlüssel, ASTM