

Datasheet

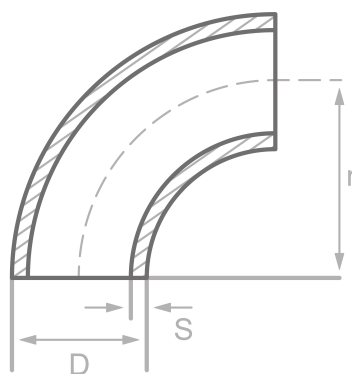
Description

Elbows, DIN2605/EN10253-2-A-3D-90°
16Mo3, certificate 3.1

Main data

Type 3/LR , 168.30 x 4.50 mm

D	168.30 mm
S	4.50 mm
r	229.00 mm



Chemical analysis (heat) in % of mass

(one content=max. value)

Short name: 16Mo3

Mat. grade: 1.5415

C	Si	Mn	P	S	Cr	Cu	Mo	Nb	Ni	Ti	V	Others
0.20	0.35	0.90	0.025	0.020	0.30	0.30	0.35		0.30			Al

Mechanical properties

Short name: 16Mo3

Mat. grade: 1.5415

Upper yield strength reH or Rp0.2 min for wallthicknesses T in mm, N/mm2 at room temperature		Tensile strength Rm for wallthickn. T in mm, N/mm2 at room temperature		Elongation A at room- temperature, min.%		Min. impact energy KV in J	
T<=16	16<T<=60	T<=16	16<T<=60	Longit.	Transv.	Longit.	Transv.
280	270	450-600	450-600	22	20		

Sources: EN 10253, DIN 17175, DIN 2528, DIN 1629, Stahlschlüssel, ASTM