

Datasheet

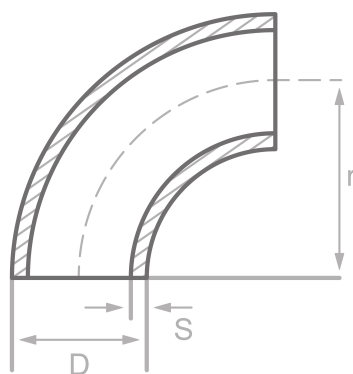
Description

Welded elbows, DIN2605/EN10253-2-A
3D-90°, P235TR2W, certificate 2.2

Main data

Type 3/LR, 244.50 x 6.30 mm

D	244.50 mm
S	6.30 mm
r	381.00 mm



Chemical analysis (heat) in % of mass

(one content=max. value)

Short name: P235TR2W

Mat. grade: 1.0254

C	Si	Mn	P	S	Cr	Cu	Mo	Nb	Ni	Ti	V	Others
0.16	0.35	1.20	0.025	0.020	0.30	0.30	0.08	0.01	0.30	0.04	0.02	

Mechanical properties

Short name: P235TR2W

Mat. grade: 1.0254

Upper yield strength reH or Rp0.2 min for wallthicknesses T in mm, N/mm2 at room temperature		Tensile strength Rm for wallthickn. T in mm, N/mm2 at room temperature		Elongation A at room- temperature, min.%		Min. impact energy KV in J	
T<=16	16<T<=60	T<=16	16<T<=60	Longit.	Transv.	Longit.	Transv.
235	225	360-500	360-500	25	23	40	27

Sources: EN 10253, DIN 17175, DIN 2528, DIN 1629, Stahlschlüssel, ASTM