

Datasheet

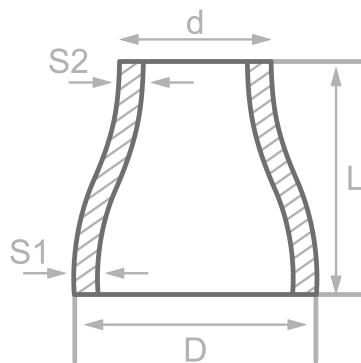
Description

Conc. red., DIN2616/EN10253-2-B
P235GH, certificate 3.1

Main data

406.40 x 12.50 / 323.90 x 12.50

| | |
|----|-----------|
| D | 406.40 mm |
| S1 | 12.50 mm |
| d | 323.90 mm |
| S2 | 12.50 mm |
| L | 355.00 mm |



Chemical analysis (heat) in % of mass

(one content=max. value)

Short name: P235GH

Mat. grade: 1.0345

| C | Si | Mn | P | S | Cr | Cu | Mo | Nb | Ni | Ti | V | Others |
|------|------|------|-------|-------|------|------|------|------|------|------|------|--------|
| 0.16 | 0.35 | 1.20 | 0.025 | 0.020 | 0.30 | 0.30 | 0.08 | 0.01 | 0.30 | 0.04 | 0.02 | Al |

Mechanical properties

Short name: P235GH

Mat. grade: 1.0345

| Upper yield strength reH or $Rp0.2$ min for wallthicknesses T in mm, N/mm ² at room temperature | | Tensile strength Rm for wallthickn. T in mm, N/mm ² at room temperature | | Elongation A at room- temperature, min.% | | Min. impact energy KV in J | |
|---|------------------|---|------------------|---|---------|-------------------------------|---------|
| $T \leq 16$ | $16 < T \leq 60$ | $T \leq 16$ | $16 < T \leq 60$ | Longit. | Transv. | Longit. | Transv. |
| 235 | 225 | 360-500 | 360-500 | 25 | 23 | 40 | 27 |

Sources: EN 10253, DIN 17175, DIN 2528, DIN 1629, Stahlschlüssel, ASTM